

SX5ST OSCILLATOR



Specifications		
Parameters	Standard	Options
Frequency range	10,000 MHz - 52,0 MHz	
Logic output	Clipped sinewave	Sinewave
Frequency stability		
Overall	+/- 3 ppm	+/-1,5 ppm best possible
Initial at 25°C	Please specify	
Temperature		
vs supply voltage change		
vs load change		
Aging first year		
Aging over Years		
Operating temperature	0° C ~ +70°C	-20°C ~ +70°C
		-40°C ~ +85°C
		Other on custom request
Storage temperature	-40°C ~ +85°C	-55°C ~ +125°C
Supply voltage	3,3 V +/-5%	5,0 V ± 5% ;3,0 V ±5% ;2,8V ±5%
		Other on custom request
Current	2,0 mA max	
Load	10 Kohm // 10 pF	Other on custom request
Jitter	Please specify (if required)	
Phase noise		
Harmonics		
Sub-harmonics		
Start-up time	4 ms max.	Other on custom request
Marking	Freq + Code + Week +Year	

SX5ST OSCILLATOR

Specifications

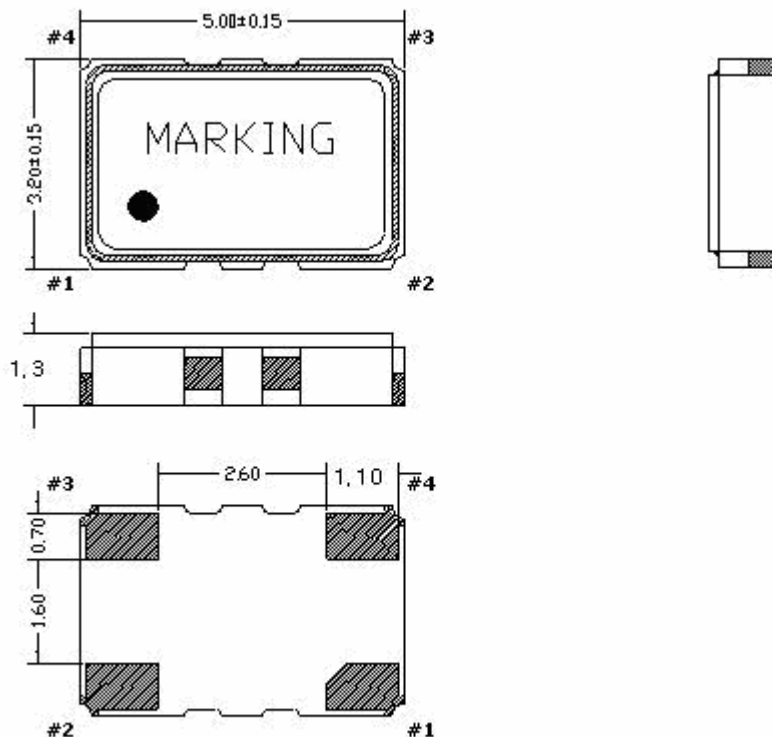
Voltage Control Options

External control voltage	+ 1,65 VDC \pm 1,65 VDC (3,3V) +2,5 VDC \pm 2,5 VDC (5,0V)	Other on custom request
Linearity	\pm 10% max.	Other on custom request
Frequency tuning range	\pm 10 ppm	Other on custom request
Pulling slope	Positive	Other on custom request

Drawing

Options

Package	SX5 4pad	
---------	----------	--



Pin configuration	#1 : NC / Vco	
	#2 : GND	
	#3 : Output	
	#4 : Vcc	